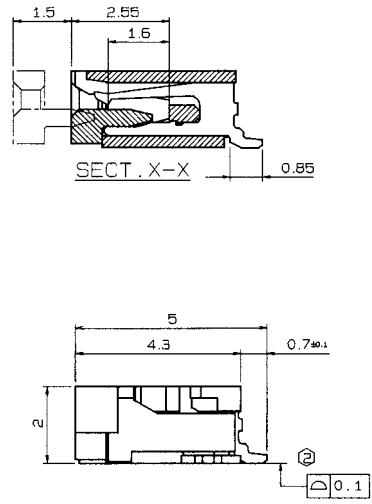
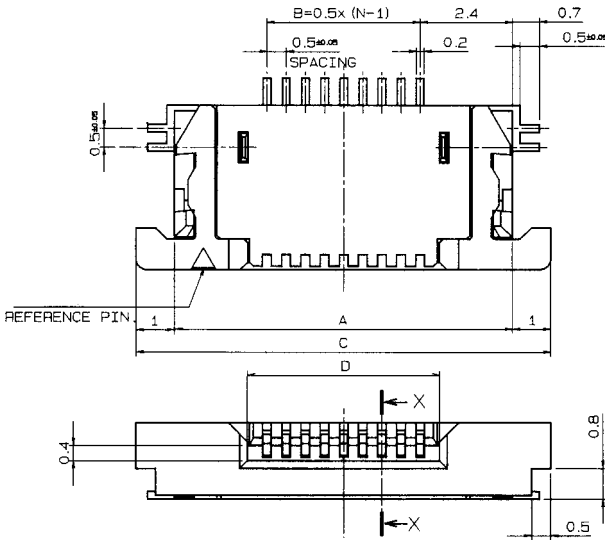


0.50mm Pitch

Series 6212

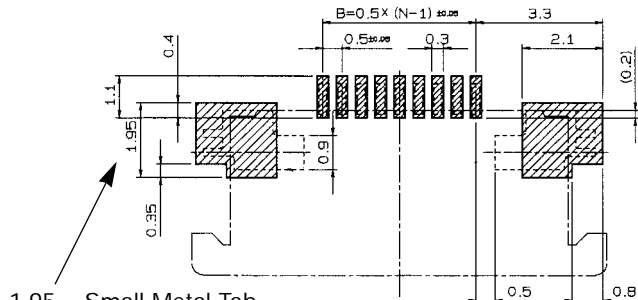


ZIF Right Angle SMT (Top Contact)



Specifications

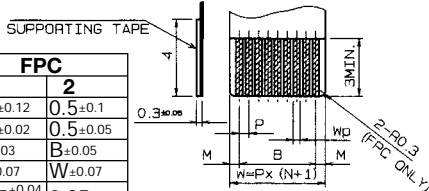
- Number of Contacts – 5-40
- 2000 Connectors per Tape & Reel
- Voltage – 50 V
- Current Rating – 0.4 amp max.
- Dielectric Withstanding Voltage – 200V RMS min.
- Operating Temperature – (-40°C - +85°C)
- Contact Material – phosphor bronze (tin-lead plated)
- Insulator Material – nylon 46, black color
- Slider Material – PPS, natural color (UL 94 V-0)
- FFC/FPC Thickness – 0.3 ±0.05 mm (0.012 ±0.002")
- Profile Height – 2mm



1.95 = Small Metal Tab
2.80 = Large Metal Tab

MOUNTING LAYOUT

	FFC		FPC	
	1	2	1	2
M	0.5±0.1	0.5±0.06	0.5±0.12	0.5±0.1
P	0.5±0.03	0.5±0.05	0.5±0.02	0.5±0.05
B	B±0.03	B±0.05	B±0.03	B±0.05
W	W±0.07	W±0.07	W±0.07	W±0.07
Wp	0.3 ^{+0.05} _{-0.02}	0.3 ^{+0.05} _{-0.02}	0.35 ^{+0.04} _{-0.03}	0.35±0.05



FFC, FPC SPECIFICATION

ORDERING CODE

08 6212 0XX XXX 800

340 (Small metal tab/strain relief - Preferred option)
010 (Large metal tab/strain relief)
NUMBER OF CONTACTS (05-30,33,35,36,40)

TAPE AND REEL

PART NUMBER	NO. OF CONTACTS	A	B	C	D	QTY. PER REEL
08 6212 005 XXX 800	5	6.8	2.0	8.8	3.1	2000
006	6	7.3	2.5	9.3	3.6	2000
007	7	7.8	3.0	9.8	4.1	2000
008	8	8.3	3.5	10.3	4.6	2000
009	9	8.8	4.0	10.8	5.1	2000
010	10	9.3	4.5	11.3	5.6	2000
011	11	9.8	5.0	11.8	6.1	2000
012	12	10.3	5.5	12.3	6.6	2000
013	13	10.8	6.0	12.8	7.1	2000
014	14	11.3	6.5	13.3	7.6	2000
015	15	11.8	7.0	13.8	8.1	2000
016	16	12.3	7.5	14.3	8.6	2000
017	17	12.8	8.0	14.8	9.1	2000
018	18	13.3	8.5	15.3	9.6	2000
019	19	13.8	9.0	15.8	10.1	2000
020	20	14.3	9.5	16.3	10.6	2000
021	21	14.8	10.0	16.8	11.1	2000
022	22	15.3	10.5	17.3	11.6	2000
023	23	15.8	11.0	17.8	12.1	2000
024	24	16.3	11.5	18.3	12.6	2000
025	25	16.8	12.0	18.8	13.1	2000
026	26	17.3	12.5	19.3	13.6	2000
027	27	17.8	13.0	19.8	14.1	2000
028	28	18.3	13.5	20.3	14.6	2000
029	29	18.8	14.0	20.8	15.1	2000
030	30	19.3	14.5	21.3	15.6	2000
033	33	20.8	16.0	22.8	17.1	2000
035	35	21.8	17.0	23.8	18.1	2000
036	36	22.3	17.5	24.3	18.6	2000
08 6212 040 XXX 800	40	24.3	19.5	26.3	20.6	2000

(Dimensions: mm)

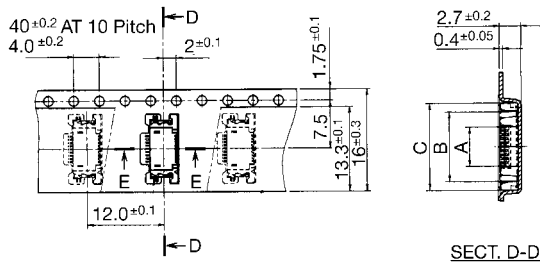
See page 13 for Tape and Reel detail.

0.50mm Pitch

Series 6212



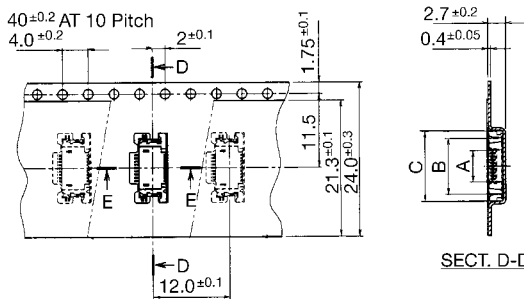
Tape and Reel Specification



SECT. D-D

Tape Width: 16mm

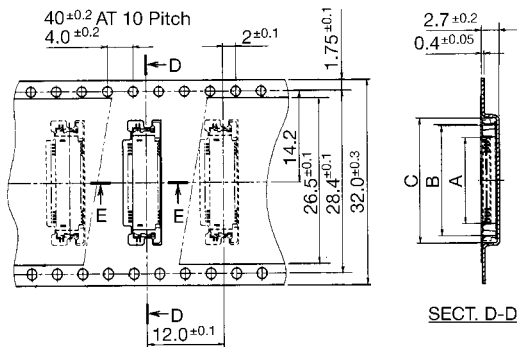
PART NUMBER	NO. OF CONTACTS	A	B	C
08 6212 005 XXX 800	5	3.4	7.2	9.4
08 6212 006 XXX 800	6	3.9	7.7	9.9
08 6212 007 XXX 800	7	4.4	8.2	10.4
08 6212 008 XXX 800	8	4.9	8.7	10.9



SECT. D-D

Tape Width: 24mm

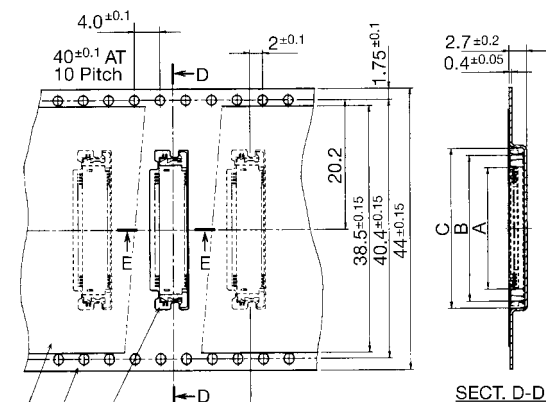
PART NUMBER	NO. OF CONTACTS	A	B	C
08 6212 009 XXX 800	9	5.4	9.2	11.4
010	10	5.9	9.7	11.9
011	11	6.4	10.2	12.4
012	12	6.9	10.7	12.9
013	13	7.4	11.2	13.4
014	14	7.9	11.7	13.9
015	15	8.4	12.2	14.4
016	16	8.9	12.7	14.9
017	17	9.4	13.2	15.4
018	18	9.9	13.7	15.9
019	19	10.4	14.2	16.4
020	20	10.9	14.7	16.9
021	21	11.4	15.2	17.4
022	22	11.9	15.7	17.9
023	23	12.4	16.2	18.4
08 6212 024 XXX 800	24	12.9	16.7	18.9



SECT. D-D

Tape Width: 32mm

PART NUMBER	NO. OF CONTACTS	A	B	C
08 6212 025 XXX 800	25	13.4	17.2	19.4
026	26	13.9	17.7	19.9
027	27	14.4	18.2	20.4
028	28	14.9	18.7	20.9
029	29	15.4	19.2	21.4
08 6212 030 XXX 800	30	15.9	19.7	21.9

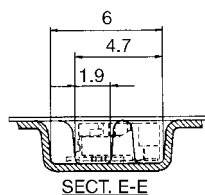


SECT. D-D

Tape Width: 44mm

PART NUMBER	NO. OF CONTACTS	A	B	C
08 6212 033 XXX 800	33	17.4	21.2	23.4
08 6212 035 XXX 800	35	18.4	22.2	24.4
08 6212 036 XXX 800	36	18.9	22.7	24.9
08 6212 040 XXX 800	40	20.9	24.7	26.9

(Dimensions: mm)



SECT. E-E